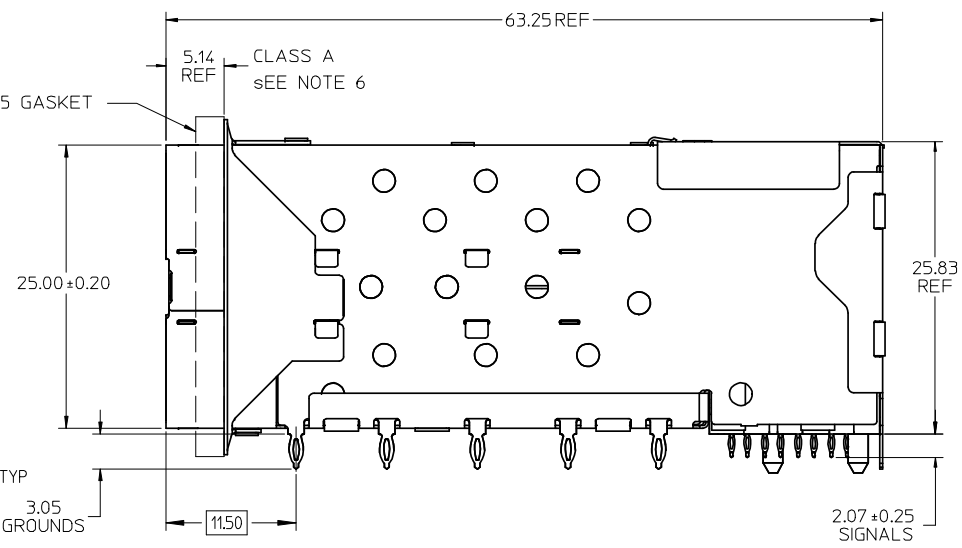
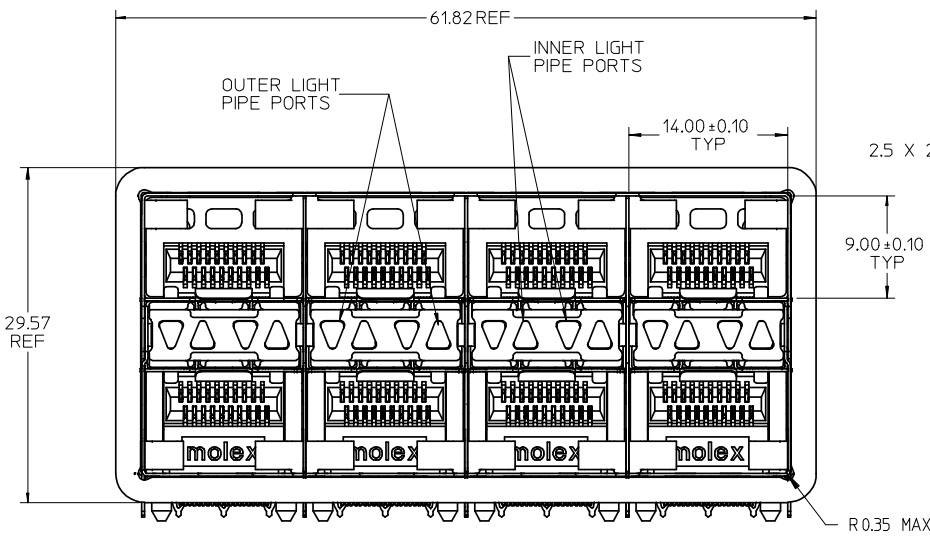
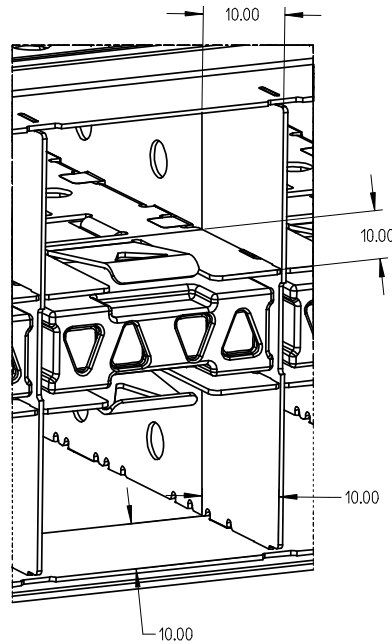
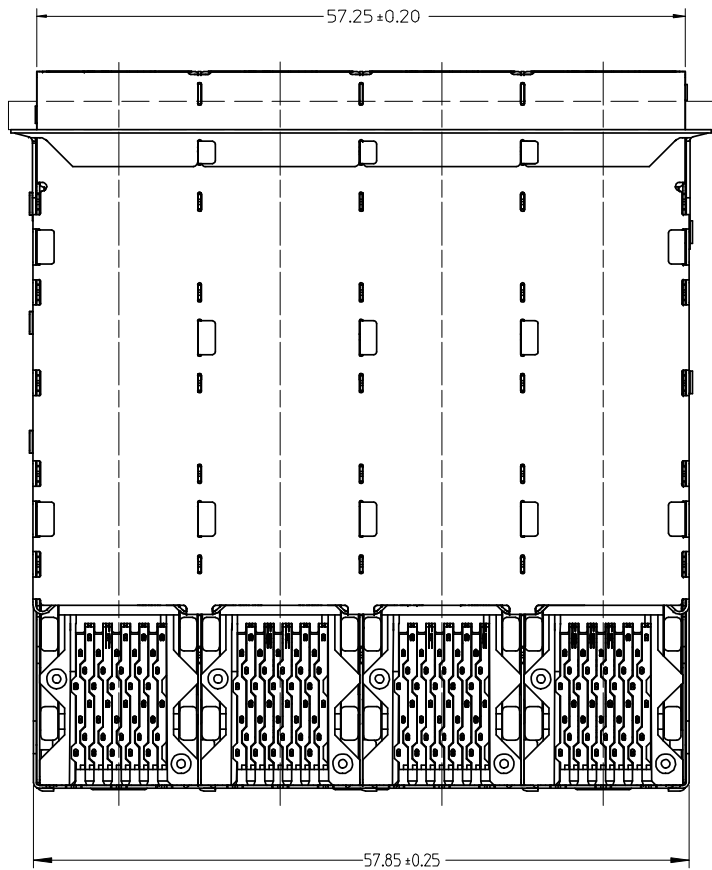


PART NUMBER	DESCRIPTION	VIEW	COMPLIANT TAIL PLATING	CAGE PLATING
760920001	4 LIGHT PORTS	SEE PG 2	TIN / LEAD	N/A
760920002	INNER 2 PORTS	SEE PG 2	TIN / LEAD	N/A
760920003	OUTER 2 PORTS	SEE PG 2	TIN / LEAD	N/A
760925001	4 LIGHT PORTS	SEE PG 2	TIN	N/A
760925002	INNER 2 PORTS	SEE PG 2	TIN	N/A
760925003	OUTER 2 PORTS	SEE PG 2	TIN	N/A

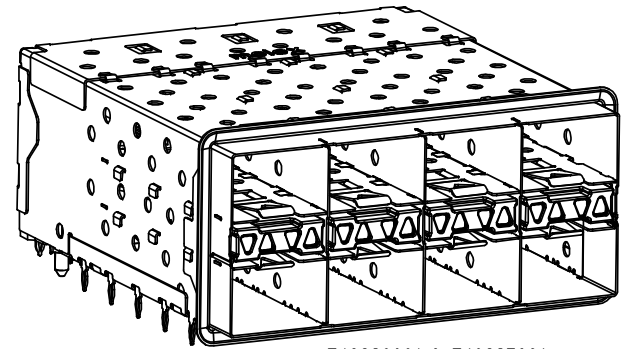


- NOTES:
- MATERIAL:
 - CAGE: NICKEL SILVER, THICKNESS: 0.25mm
 - CAGE FLANGE: STAINLESS STEEL
 - EMI GASKET: CONDUCTIVE POLYMER
 - CONNECTOR HOUSING: GLASS FILLED HIGH TEMP PLASTIC, 94 V-0 COLOR: BLACK
 - OVERMOLDED TERMINAL HOUSING: GLASS FILLED HIGH TEMP PLASTIC, 94 V-0, COLOR: BLACK
 - TERMINALS: TIN BRASS
 - LIGHT PIPES: POLYCARBONITE, 94 V-0, COLOR: CLEAR
 - LIGHT PIPE HOUSING: ZINC
 - FINISH:
 - LIGHT PIPE HOUSING: 150 MICRONS NICKEL OVER 150 MICRONS COPPER
 - TERMINALS: CONTACT AREA: 0.76 MICROS MIN. HARD GOLD OVER 1.27 MICRONS NICKEL.
 - COMPLIANT TAIL - TIN/LEAD OPTION: 0.76 - 1.52 MICRONS 90/10 TIN/LEAD OVER 0.76 - 1.52 MICRONS NICKEL
 - COMPLIANT TAIL - TIN OPTION: 0.76 - 1.52 MICRONS TIN OVER 0.76 - 1.52 MICRONS NICKEL
 - REFER TO PS-75310-001 PRODUCT SPEC FOR ALL ELECTRICAL, MECHANICAL AND ENVIRONMENTAL SPECIFICATIONS.
 - LIGHT PIPE PAD LAYOUT IS FOR 0805 LOW-PROFILE LED PACKAGE, FOR OTHER RECOMMENDED LAYOUTS REFER TO MOLEX'S REPORT TS-75310-001.
 - REFER TO PK-75450-001 FOR ALL PACKAGING SPECIFICATIONS.
 - ALL EXTERIOR SURFACES TO BE CLASS 'B' SURFACE EXCEPT THE UNDER SIDE OF THE CAGE WHERE THE PCB WOULD BE LOCATED AND AS NOTED. THE SURFACES TO CONFORM TO THE MOLEX COSMETIC DOC PS-45499-002.

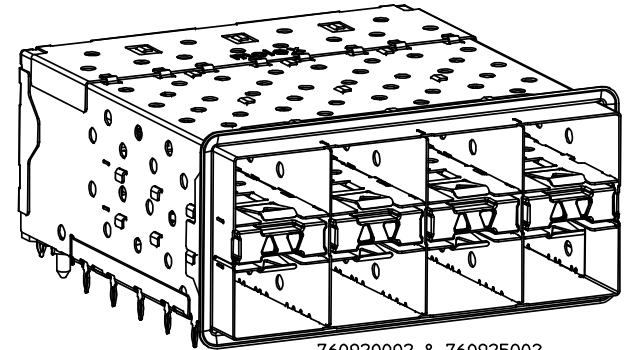
REVISED DIMENSIONS EC NO: UCP2008-1003 DRWN: JLONG 2008/01/11 CHKD: 2008/01/11 APPR: MBANAKIS 2008/01/11	QUALITY SYMBOLS	GENERAL TOLERANCES (UNLESS SPECIFIED)	SCALE 3:1	DESIGN UNITS METRIC	THIRD ANGLE PROJECTION	REVISE ON CAD ONLY
	$\nabla = 0$ $\nabla C = 0$	mm	INCH	DIMENSION STYLE MM ONLY		TITLE STACKED SFP+ 2X4 ASS'Y WITH ELASTOMERIC GASKET AND LIGHTPIPES
		4 PLACES ± ---	± ---	DRAWN BY JLONG	DATE 01-26-2007	
		3 PLACES ± ---	± ---	CHECKED BY MSANDBERG01-26-2007	DATE 01-26-2007	MATERIAL NO. MOLEX INCORPORATED
		2 PLACES ± 0.13	± ---	APPROVED BY RNELSON	DATE 01-26-2007	DOCUMENT NO. SD-76092-001
		1 PLACE ± 0.25	± ---	THIS DRAWING CONTAINS INFORMATION THAT IS PROPRIETARY TO MOLEX INCORPORATED AND SHOULD NOT BE USED WITHOUT WRITTEN PERMISSION		SHEET NO. 1 OF 4
		ANGULAR ± 5 °				
		DRAFT WHERE APPLICABLE MUST REMAIN WITHIN DIMENSIONS				



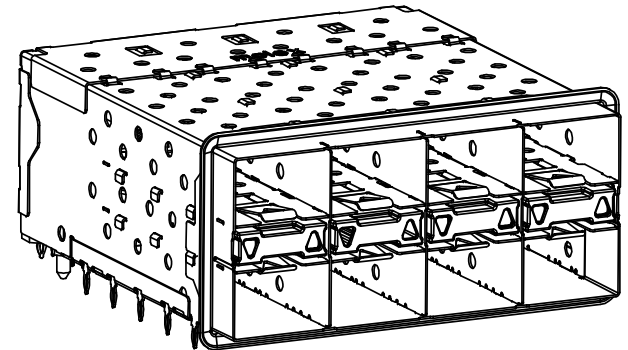
PORT DETAIL
 10.00mm AREA SETBACK IN CAGE IS TO BE FREE OF ANY HOLES, DIMPLES, SEAMS OR ANY OTHER FEATURE. (4 SIDES PER PORT)



760920001 & 760925001
 WITH INNER & OUTER LIGHT PIPE PORTS

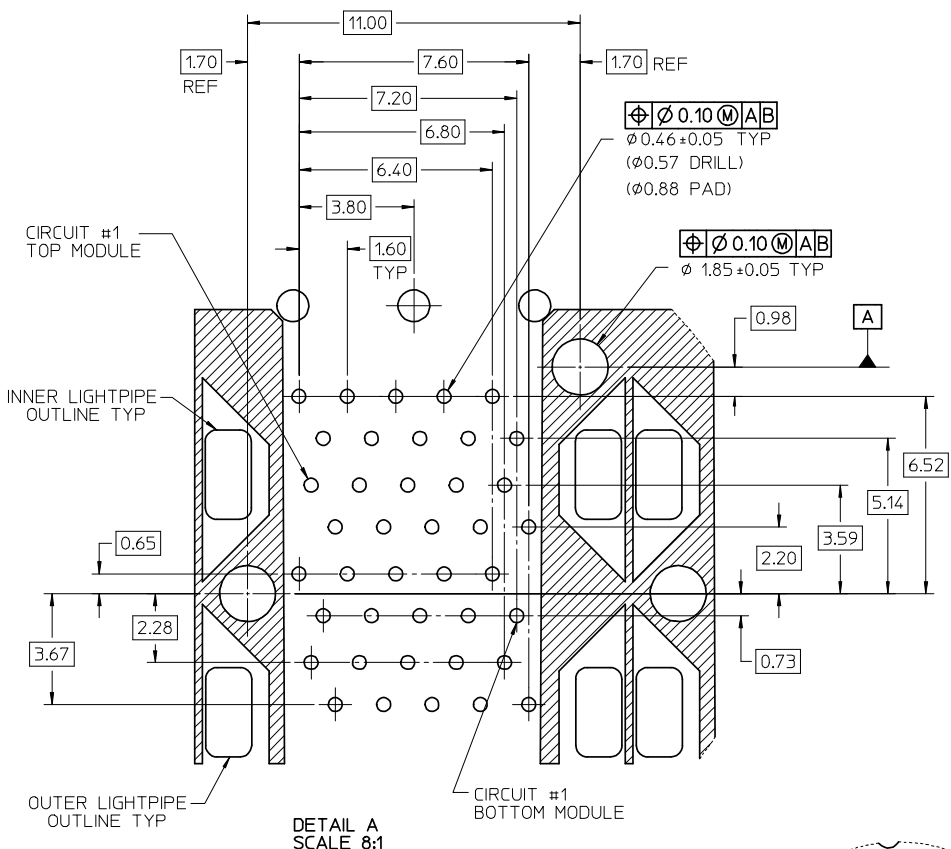


760920002 & 760925002
 WITH INNER LIGHT PIPE PORTS

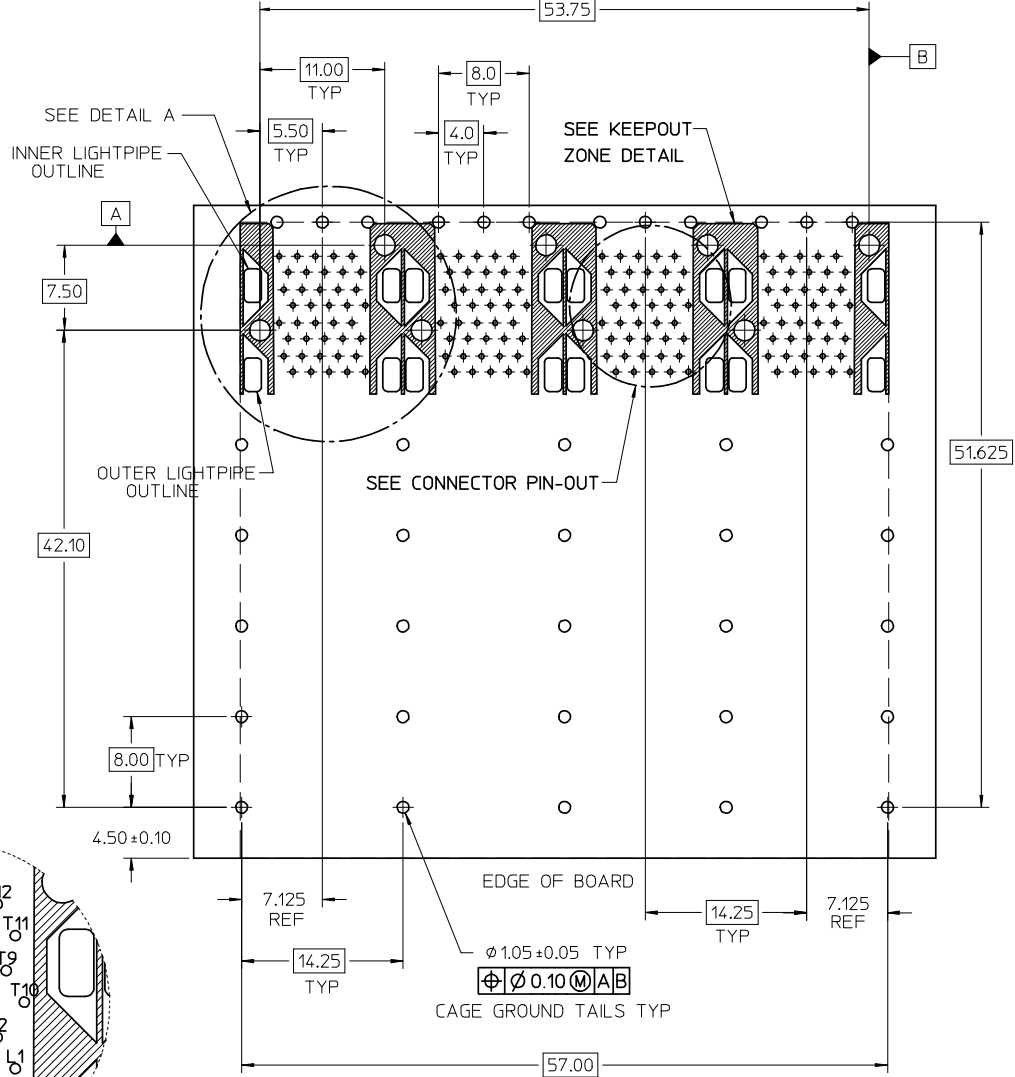


760920003 & 760925003
 WITH OUTER LIGHT PIPE PORTS

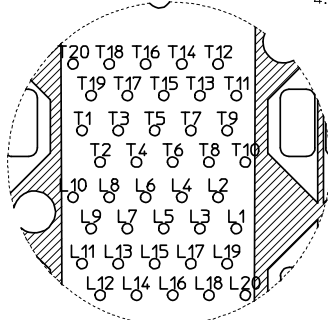
SEE SHEET 1 EC NO: UCP2008-1003 DRWN: JLONG 2008/01/11 CHKD: 2008/01/11 APPR: MBANAKIS 2008/01/11	QUALITY SYMBOLS	GENERAL TOLERANCES (UNLESS SPECIFIED)		SCALE 3:1	DESIGN UNITS METRIC	THIRD ANGLE PROJECTION	REVISE ON CAD ONLY
	▽ = 0 ∇ = 0		mm	INCH	DIMENSION STYLE MM ONLY		TITLE STACKED SFP+ 2X4 ASS'Y WITH ELASTOMERIC GASKET AND LIGHTPIPES
		4 PLACES	± ---	± ---	DRAWN BY	DATE	
		3 PLACES	± ---	± ---	JL LONG	01-26-2007	
	2 PLACES	± 0.13	± ---	CHECKED BY	DATE	MOLEX INCORPORATED MATERIAL NO. SEE CHART DOCUMENT NO. SD-76092-001 SHEET NO. 2 OF 4	
	1 PLACE	± 0.25	± ---	MSANDBERG01-26-2007	01-26-2007		
	ANGULAR ± 5 °		DRAFT WHERE APPLICABLE		THIS DRAWING CONTAINS INFORMATION THAT IS PROPRIETARY TO MOLEX INCORPORATED AND SHOULD NOT BE USED WITHOUT WRITTEN PERMISSION		
			MUST REMAIN WITHIN DIMENSIONS				



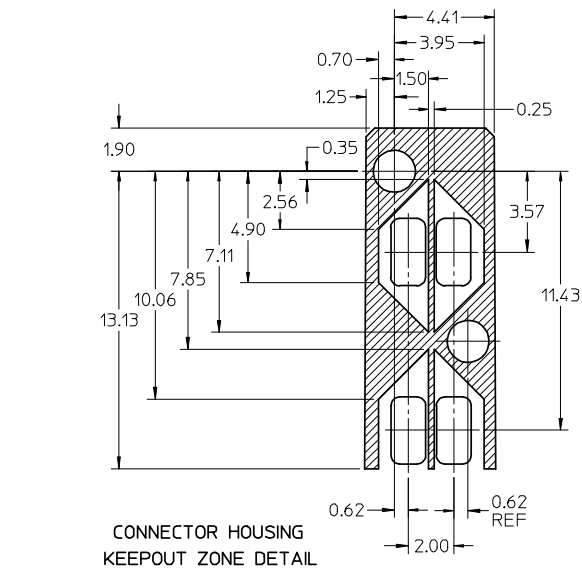
DETAIL A
SCALE 8:1



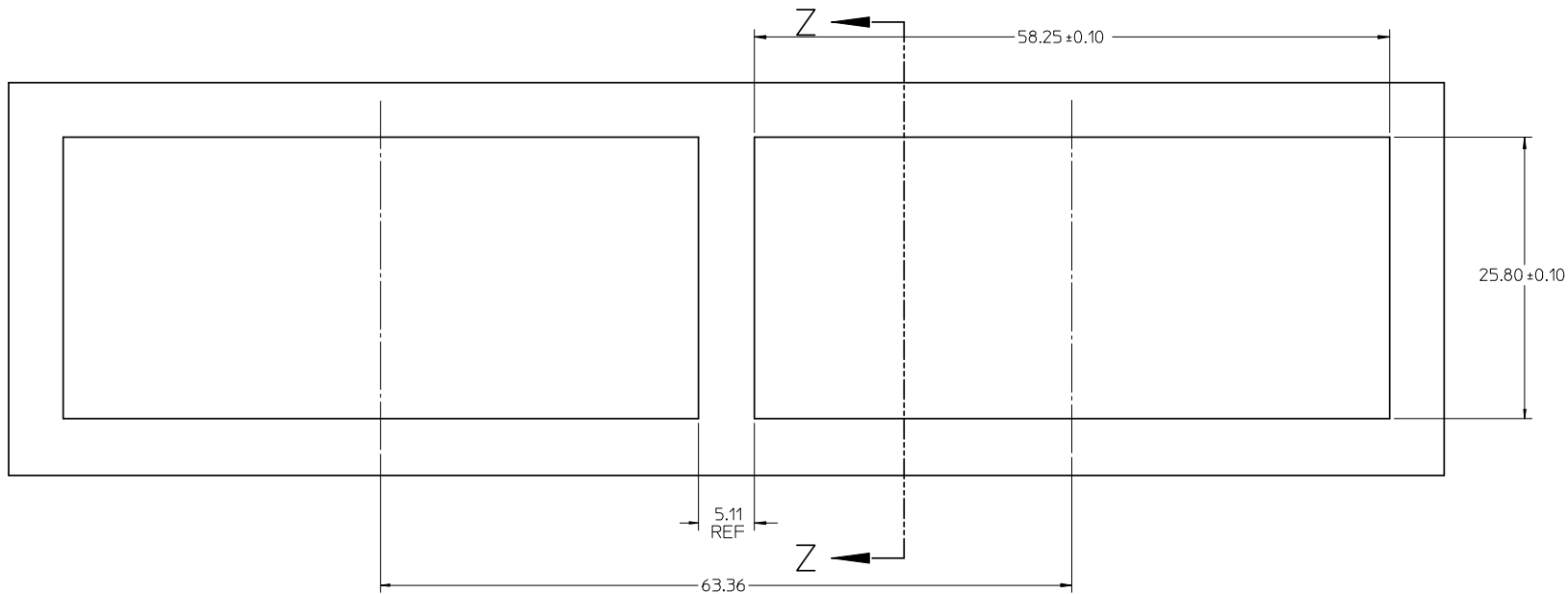
RECOMMENDED PCB LAYOUT - COMPONENT SIDE
MINIMUM PCB THICKNESS OF 1.57MM
THE ENTIRE AREA OF THE CONNECTOR FOOTPRINT
TO BE CONSIDERED THE KEEP OUT AREA INDICATED
BY THE DASHED LINE



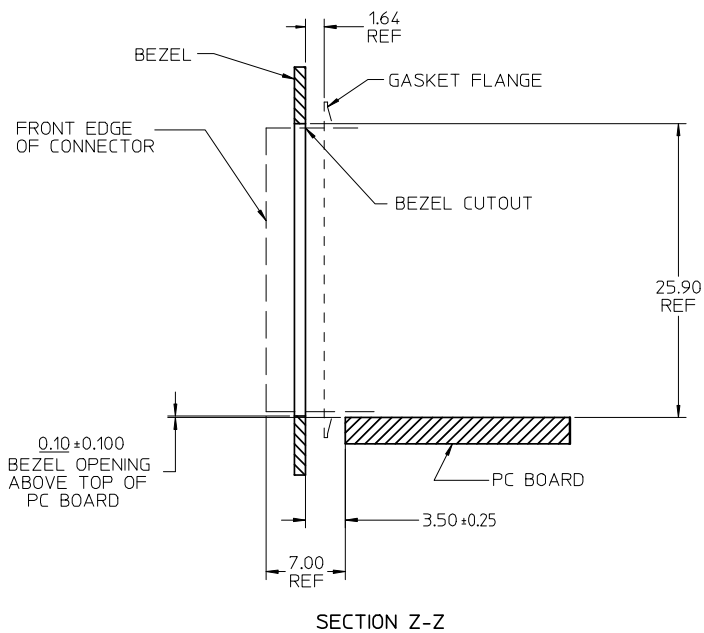
CONNECTOR PIN-OUT
COMPONENT SIDE OF BOARD



SEE SHEET 1 EC NO: UCP2008-1003 DRWN: JLONG 2008/01/11 CHKD: 2008/01/11 APPR: MBANAKIS 2008/01/11	QUALITY SYMBOLS ▽ = 0 ▽ = 0	GENERAL TOLERANCES (UNLESS SPECIFIED) mm INCH 4 PLACES ± --- ± --- 3 PLACES ± --- ± --- 2 PLACES ± 0.13 ± --- 1 PLACE ± 0.25 ± --- ANGULAR ± 5 °	SCALE 3:1 DESIGN UNITS METRIC DIMENSION STYLE MM ONLY DRAWN BY JLONG DATE 01-26-2007 CHECKED BY MSANDBERG01-26-2007	THIRD ANGLE PROJECTION REVISE ON CAD ONLY
	DRAFT WHERE APPLICABLE MUST REMAIN WITHIN DIMENSIONS	TITLE STACKED SFP+ 2X4 ASS'Y WITH ELASTOMERIC GASKET AND LIGHTPIPES MOLEX INCORPORATED		
	APPROVED BY RNELSON DATE 01-26-2007 THIS DRAWING CONTAINS INFORMATION THAT IS PROPRIETARY TO MOLEX INCORPORATED AND SHOULD NOT BE USED WITHOUT WRITTEN PERMISSION	MATERIAL NO. SEE CHART DOCUMENT NO. SD-76092-001 SHEET NO. 3 OF 4		
	MOLEX INCORPORATED			



BEZEL CUTOUT CENTER SPACING DETAIL
BEZEL THICKNESS 0.8-2.6



SECTION Z-Z

SEE SHEET 1 EC NO: UCP2008-1003 DRWN: JLONG 2008/01/11 CHKD: 2008/01/11 APPR: MBANAKIS 2008/01/11	QUALITY SYMBOLS	GENERAL TOLERANCES (UNLESS SPECIFIED)		SCALE 3:1	DESIGN UNITS METRIC	THIRD ANGLE PROJECTION	REVISE ON CAD ONLY
	▼ = 0 ∇ = 0		mm	INCH	DIMENSION STYLE MM ONLY		TITLE STACKED SFP+ 2X4 ASS'Y WITH ELASTOMERIC GASKET AND LIGHTPIPES
		4 PLACES	± ---	± ---	DRAWN BY JLONG	DATE 01-26-2007	
		3 PLACES	± ---	± ---	CHECKED BY MSANDBERG01-26-2007	DATE 01-26-2007	
	2 PLACES	± 0.13	± ---	APPROVED BY RNELSON		DATE 01-26-2007	MATERIAL NO. SEE CHART
	1 PLACE	± 0.25	± ---	DRAFT WHERE APPLICABLE MUST REMAIN WITHIN DIMENSIONS		DATE	DOCUMENT NO. SD-76092-001
	ANGULAR ± 5 °		THIS DRAWING CONTAINS INFORMATION THAT IS PROPRIETARY TO MOLEX INCORPORATED AND SHOULD NOT BE USED WITHOUT WRITTEN PERMISSION			SHEET NO. 4 OF 4	